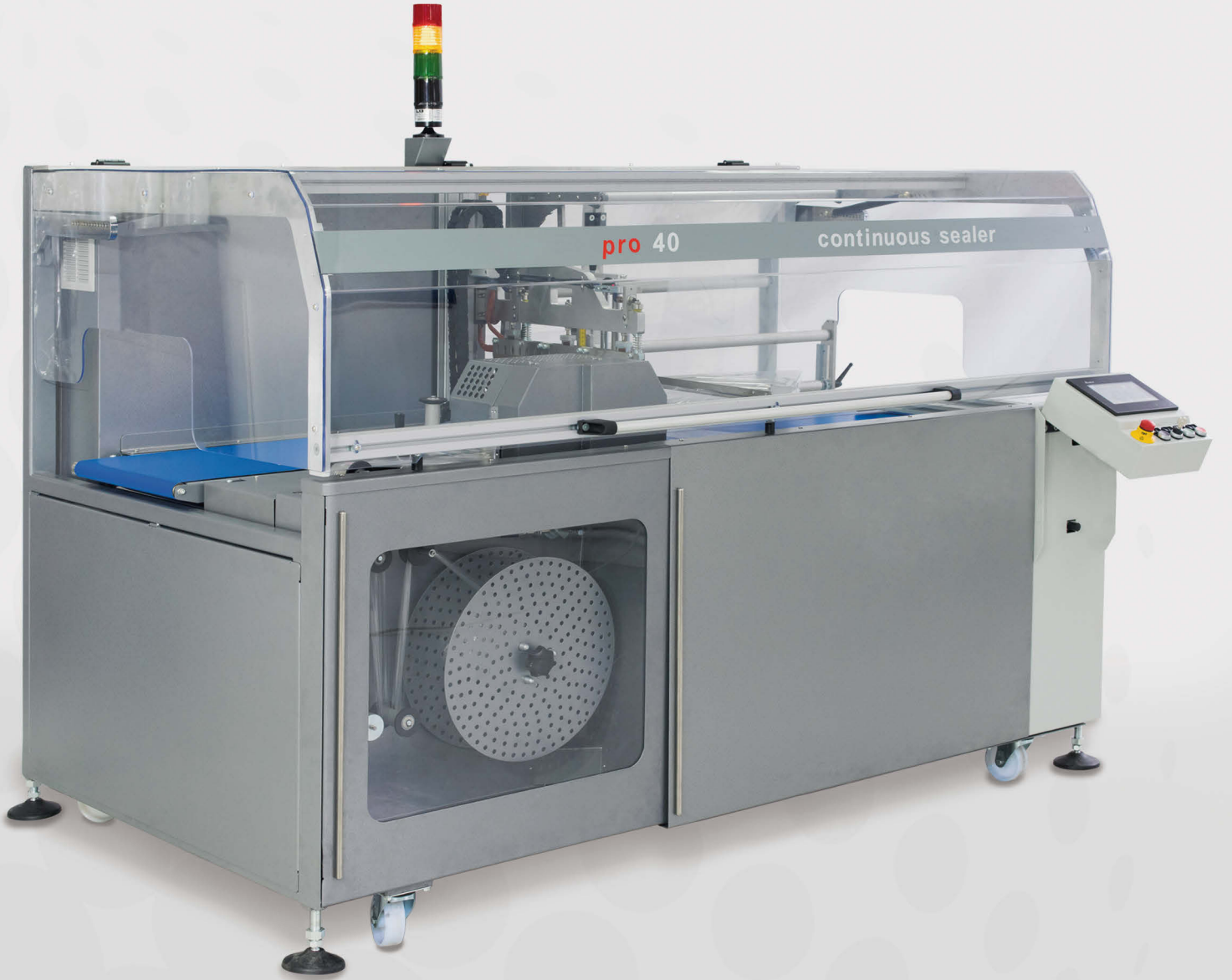


# ULTIMATE PRO SERIES

Fully automated continuous sealer packaging machine



Ultimate<sup>®</sup> is a registered trademark of PackPark

# ULTIMATE PRO SERIES

Fully automated continuous sealer packaging machine

## ADVANTAGES

- Very compact and new esthetic 'Pro' design
- Continuous side sealer provides unlimited length packaging ability
- Very fast and flawless sealing property by Servo driven vertical sealer
- Easy to integrate with the production lines directly
- Recordable and re-callable package parameter settings

## FEATURES

- Automatic length detection by sensor synchronized encoder control
- User-friendly color touch screen operator panel
- Automatic packaging film drive with tension control
- Automatic trim winder with tension control
- Feeding frequency control by sensor detection and PLC control

## SEALING

- Center-Seal property provides accurate and linear sealing line
- Adjustable precision and pressure on cutting and sealing force
- PID controlled sealing temperature inserted by touch panel
- Alternative sealing blade structures for various packaging material
- Product clearance control under seal bar by sensor

## FLEXIBILITY

- Easily adjustable wrt. varying product sizes and capacity
- Various language options and adaptable touch keyboard
- Memory Receipt property for prompt adjustments
- Perfect sealing blade design compatible with varying thicknesses

## OPTIONAL

- Solenoid actuator for side sealer: Free of compressed air requirement
- Printed film applicability by marker detection sensor and programming
- Center folder system for single layer flat film applicaiton
- Ability to control additional conveyors by inverters
- Linking Belt (3 bar compressed air is require)

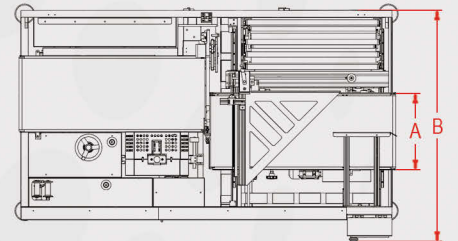
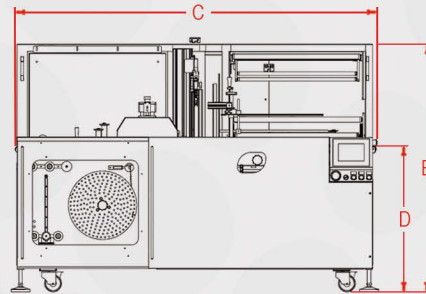
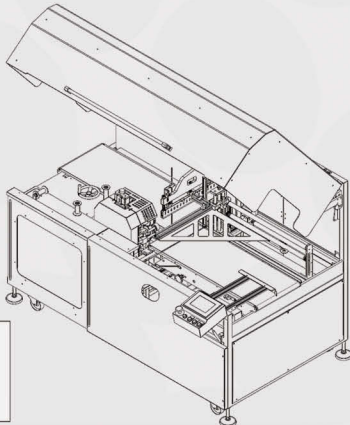
## QUALITY

- ISO9001 quality standards with the relevant norm's confirmation
- World-wide brands for all mechanical, electrical and pneumatic components
- CE certifications, complies with the latest CE directives
- One year warranty on non-wearable parts (extendable)
- Manufacturer's guarantee for spare part stock and after sales support
- Manufacturer's guarantee for spare part stock availability up to 5 years



## Technical Specifications

	Ultimate 20 Pro	Ultimate 40 Pro	Ultimate 80 Pro	Ultimate 100 Pro
Sealer Bar Opening: 250mm	Cross Sealer Length: 300mm	530mm	920mm	1150mm
Max. Conv. Speed: 30 mt/min (adjustable)	Conveyor Belt Width (A): 200mm	400mm	800mm	1000mm
Max. Cycle: 60 cycle/min (example:DIN A4 form)	Max. Film Width: 650mm	650mm	1000mm	1250mm
Max. Roll Diameter: 300mm standard (adjustable)	Installed Power: 400V 5 Amper 3 Faz	400V 6 Amper 3 Faz	400V 7 Amper 3 Faz	400V 8 Amper 3 Faz
Working Height (D): 860mm	Average Consumption: Maks: 3,7Kw average 1,9Kw	Maks: 3,7Kw, average 1,9Kw	Maks: 3,7Kw, average 1,9Kw	Maks: 3,7Kw, average 1,9Kw
Film Types: 7-40 µm PO, PP " V " Knife	Dimensions (BxCxE): 1250x2320x1600mm	1470x2320x1600mm	2000x2900x1600mm	2300x3200x1600mm
40-80 µm PE, OPP " W " Knife	Palletized Size (BxCxE): 1020x2120x1500mm	1270x2120x1500mm	1800x2700x1500mm	2100x3000x1500mm
Color: Customised, (Mixed grey + RAL7015 + RAL7010)	Weight (Net / Gross): 624 kg / 690 kg	780 kg / 860 kg	1410 kg / 1550 kg	1960 kg / 2180 kg



Park Endüstriyel Ürünler Sanayi Uluslararası İç ve Dış Tic. Ltd. Şti.  
Atalar Cad. Gamze Sk. No: 13/A 34862  
Atalar / Kartal / İstanbul / Türkiye  
Tel: +90 216 353 54 66 Mobile / WhatsApp: +90 533 690 05 55  
info@packpark.com.tr www.packpark.com.tr